

# TRAINING ON TRANSFORMERS

- Flip the Switch, Amp Up Your Transformer Skills



+91 7842430123

contact@pertecnica.in



7th Floor, Dega Towers,  
Rajbhavan Road, Hyderabad



www.pertecnica.net

# ABOUT US

**Welcome to Pertecnica, your gateway to skill elevation! We specialize in providing targeted training for employees, equipping them with the tools to excel in their roles. Our expert-led programs ensure a seamless blend of theory and practical application, fostering continuous growth. At Pertecnica, we don't just train; we empower professionals for success in today's fast-paced work landscape.**



+91 7842430123

[contact@pertecnica.in](mailto:contact@pertecnica.in)



7th Floor, Dega Towers,  
Rajbhavan Road, Hyderabad



[www.pertecnica.net](http://www.pertecnica.net)



# SPECIALIZED TRAINING PROGRAMS

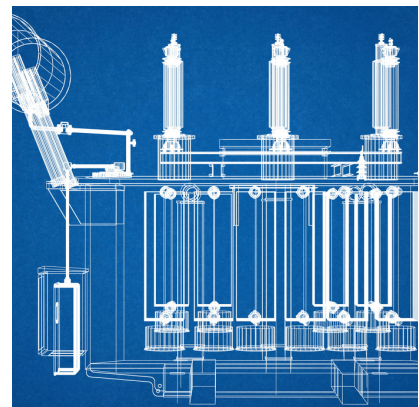
## - for Transformers

Pertecnica's training initiatives encompass a wide array of pivotal topics, including transformer operation principles, maintenance practices, diagnostics, safety protocols, and advancements in transformer technology. Emphasizing efficiency, reliability, and adherence to industry standards, Pertecnica Engineering ensures that participants gain a deep understanding of transformers, empowering them to oversee, maintain, and optimize transformer systems across various industrial sectors in India with precision and efficacy.

### Employee Trainings on Transformers

#### Transformer Design Training:

- The principles and methodologies of transformer design, including core and winding design, insulation systems, losses, and thermal management along with transformer design software and tools.



#### Transformer Manufacturing Training:

- The manufacturing processes involved in producing transformers, including core construction, winding, insulation, tank fabrication, and assembly. Quality control and testing procedures.



### Transformer Installation and Commissioning Training:

- **The installation and commissioning of transformers including site preparation, transportation, oil filling, electrical connections, and commissioning tests.**

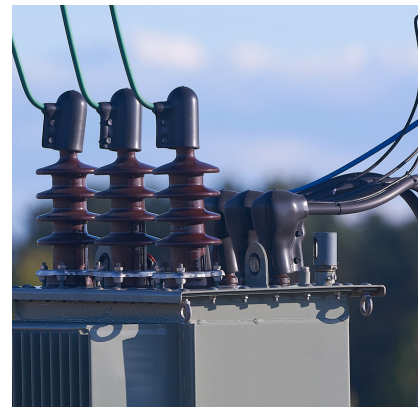


### Transformer Operation and Maintenance Training:

- **The safe and efficient operation of transformers including load management, monitoring, diagnostics, preventive maintenance, and troubleshooting.**

### Transformer Diagnostics and Condition Assessment:

- **Transformer diagnostics, including dissolved gas analysis (DGA), partial discharge testing, insulation resistance testing, and thermal imaging, assess the condition of transformers and make informed maintenance decisions.**



### Transformer Oil Analysis Training:

- **Importance of transformer oil analysis for assessing transformer health, how to take oil samples, analyze test results, and interpret findings to identify potential issues.**

**Transformer Safety Training:**

- Safety is paramount when working with transformers. This program covers safe working practices, including electrical safety, handling of oil-filled transformers, and hazard identification.



**Transformer Regulatory Compliance and Standards:**

- Complying with industry standards and regulations covering relevant standards (e.g., IEEE, IEC) and regulatory requirements for transformers.

**Transformer Asset Management and Life Cycle Cost Analysis:**

- This program focuses on optimizing transformer asset management, including life cycle cost analysis, risk assessment, and asset replacement strategies.



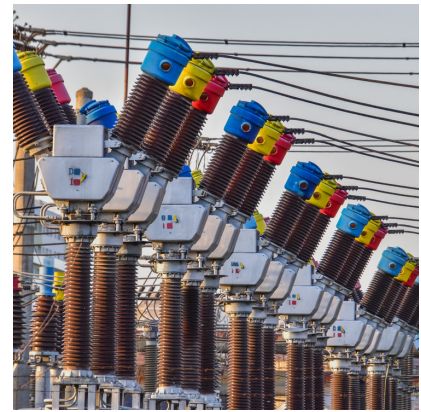
**Smart Transformers and Advanced Technologies:**

- As transformers evolve with digital technologies, this program explores smart transformers, digital substations, and the integration of sensors and monitoring systems.



**Power Transformer Design and Testing Standards (e.g., ANSI, IEC):**

- **Specialized programs cover specific design and testing standards for power transformers used in high-voltage applications.**



**Distribution Transformer Design and Testing Standards:**

- **Similar to the power transformer standards program, this focuses on design and testing standards for distribution transformers.**

**Why Choose Pertecnica Engineering?**

- **Expertise and Relevant Experience:** We have in-depth expertise in the specific subject matter and relevant industry experience. This ensures that the training is not only theoretically sound but also practically applicable to real-world scenarios in the company's specific field.
- **Customization and Relevance of Content:** Our tailored programs that align with the company's objectives, culture, and the specific skill gaps of the employees are highly valued.
- **Measurable Outcomes and ROI:** Our training will lead to tangible improvements in employee performance and productivity, thereby offering a strong return on investment (ROI).
- **Flexibility and Innovative Delivery Methods:** Flexibility in terms of scheduling, format (in-person, online, hybrid), and adaptability to different learning styles. We offer innovative and engaging training methods that keep employees motivated and facilitate effective learning.

